



SPECIAL EQUIPMENT

Special equipment box	3
Test mandrel	4
Reference tool holder	4
Alignment aid	4
Holder.....	5
Bolt/assembly aid	5
tool.....	5
Pull-in force measuring instrument.....	6
Adapter.....	6
Measuring instrument.....	6
Measuring system	7
Control unit	7

Special equipment box

The box and its contents can be requested and ordered individually, specific for the machine type.





Test mandrel

Concentricity testing and checking of the parallelism of the motorized spindle.

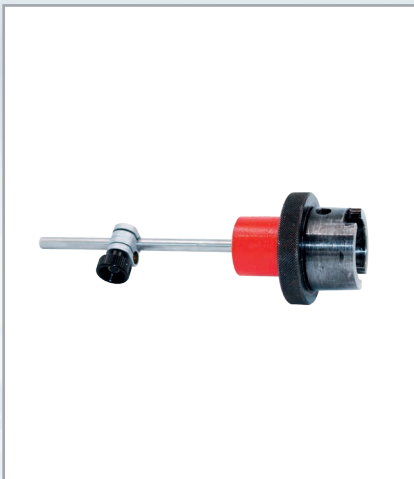
TECHNICAL DATA	MATERIAL NO.
HSK-25	1575272
HSK-32	1575271
SK-40	2090446
HSK-40	2015155
HSK-50	2015157
HSK-63	849477
HSK-80	970130
HSK-100	1208425
HSK-160	2932211



Reference tool holder

Determination of spindle zero degree position.

TECHNICAL DATA	MATERIAL NO.
HSK-63	656650
HSK-80	656719
HSK-100	743389



Alignment aid

Determination of zero points of the main axes if a measuring socket is available.

TECHNICAL DATA	MATERIAL NO.
HSK-63	1327368
HSK-100	1327370



Holder

Attachment of a magnetic base on the Z-axis for obtaining a flat surface.

TECHNICAL DATA	MATERIAL NO.
GROB /Weiss MSP diameter = 150 Kessler MSP diameter = 239	1679528
GROB /Weiss MSP diameter = 235	1629151
Fischer MSP diameter = 190; HSK-80	1624184



Bolt/assembly aid

The bolt facilitates the installation of the lip seal in the clamping set of the tool holder.

TECHNICAL DATA	MATERIAL NO.
HSK-63	1607158
HSK-100	3334187



Tool

Measuring the tilting play and circumferential backlash.

TECHNICAL DATA	MATERIAL NO.
HSK-63	2011323
HSK-80	2015154
HSK-100	2174442



Pull-in force measuring instrument

Checking the pull-in force at the motorized spindle, manual measurement is possible. Internal storage of the measured values during automatic operation and possibility of logging with the Power Check II-PC software (USB interface).

TECHNICAL DATA	MATERIAL NO.
Base unit for HSK and SK	2517755
Base unit & SK-40 adapter	2493660
Base unit & SK-50 adapter	2517756
Base unit & HSK-63 adapter	2312977
Base unit & HSK-80 adapter	2661191
Base unit & HSK-100 adapter	2321668
HSK-160	2929155
HSK-63/HSK-100/SK-40	2893456
HSK-63/HSK-100	3000865



Adapter

Checking the motorized spindle's pull-in force. In addition, the evaluation device of the pull-in force measuring instrument is needed.

TECHNICAL DATA	MATERIAL NO.
SK-40 (DIN 69871)	2493672
SK-50 (ISO7388)	2517757
SK-50 (DIN2080)	2517775
HSK-63	2321667
HSK-80	2661193
HSK-100	2321669



Measuring instrument

Geometry measurement, G35x/G55x.

TECHNICAL DATA	MATERIAL NO.
G315, G350, G550	2093655



Measuring system

Basic version: The clamping force measuring system for clamping heads is used to measure the force of individual clamping heads.

TECHNICAL DATA	MATERIAL NO.
Basic version SKMB-NSM-HV 20	2864169
Basic version SKMB-SPM-HV 15	3042294
Basic version SKMB-SPM-HV 30	3042297
Basic version SKMB-NSM-HV 10 (G150)	4320193
Advanced version SKM-NSM-HV 20	2864181
Advanced version SKM-SPM-HV15	3042295
Advanced version SKM-SPM-HV 30	3042298
Advanced version SKM-NSM-HV 10 (G150)	4320194



Control unit

External activation of pneumatic movements when the safety door is open, e.g. Tool elevator, tool brush, tool gripper.

TECHNICAL DATA	MATERIAL NO.
For all G-modules without GROB mode	2848526



NORTH AMERICA

Bluffton, Ohio, USA
Detroit, Michigan, USA
Querétaro, Mexico

SOUTH AMERICA

São Paulo, Brazil

EUROPE

Mindelheim, Germany
Pianezza, Italy
Birmingham, Great Britain
Hengelo, Netherlands
Senlis, France
Baar, Switzerland
Poznań, Poland
Győr, Hungary
Moscow, Russia

ASIA

Dalian, China
Beijing, China
Shanghai, China
Yokohama, Japan
Seoul, SOUTH KOREA
Haiphong, Vietnam
Hyderabad, India

GROB-WERKE GmbH & Co. KG

Mindelheim, GERMANY
Tel.: +49 8261 996-0
E-mail: info@de.grobgroup.com

B. GROB DO BRASIL S.A.

São Paulo, BRAZIL
Tel.: +55 11 4367-9100
E-mail: info@grob.com.br

GROB SYSTEMS, Inc.

Bluffton, Ohio, USA
Tel.: +1 419 358-9015
E-mail: info@us.grobgroup.com

GROB MACHINE TOOLS (CHINA) Co., Ltd.

Dalian, P.R. CHINA
Tel.: +86 411 39266-488
E-mail: dalian@cn.grobgroup.com

GROB ITALY S.r.l.

Pianezza, ITALY
Tel.: +39 011 9348292
E-mail: info@it.grobgroup.com

GROB SYSTEMS, Inc.

Detroit, Michigan, USA
Tel.: +1 419 3589015
E-mail: info@us.grobgroup.com

GROB MEXICO S.A. de C.V.

Querétaro, MEXICO
Tel.: +52 442 713-6600
E-mail: info@mx.grobgroup.com

GROB MACHINE TOOLS U.K., Ltd.

Birmingham, GREAT BRITAIN
Tel.: +44 121 366-9848
E-mail: info@uk.grobgroup.com

GROB BENELUX BV

Hengelo, NETHERLANDS
Tel.: +31 74 3490207
E-mail: info@nl.grobgroup.com

GROB FRANCE S.A.R.L.

Senlis, FRANCE
Tel.: +33 3650 95025
E-mail: info@fr.grobgroup.com

GROB SCHWEIZ AG

Baar, SWITZERLAND
Tel.: +41 76 8191381
E-mail: info@ch.grobgroup.com

GROB POLSKA Sp. z o.o.

Poznań, POLAND
Tel.: +48 728 646000
E-mail: info@pl.grobgroup.com

GROB HUNGARIA Kft.

Győr, HUNGARY
Tel.: +36 30436-4471
E-mail: info@hu.grobgroup.com

GROB RUSS-MASCH GmbH

Moscow, RUSSIA
Tel.: +7 495 795-0285
E-mail: info@ru.grobgroup.com

GROB MACHINE TOOLS (CHINA) Co., Ltd. Beijing Branch

Beijing, P.R. CHINA
Tel.: +86 10 6480-3711
E-mail: beijing@cn.grobgroup.com

GROB MACHINE TOOLS (CHINA) Co., Ltd. Shanghai Branch

Shanghai, P.R. CHINA
Tel.: +86 21 3763-3018
E-mail: shanghai@cn.grobgroup.com

GROB JAPAN K.K.

Yokohama, Japan
Tel.: +81 45 414-3390
E-mail: info@jp.grobgroup.com

GROB KOREA Co., Ltd.

Seoul, SOUTH KOREA
Tel.: +82 31 8064-1880
E-mail: info@kr.grobgroup.com

GROB VIETNAM L.L.C.

Haiphong, VIETNAM
Tel.: +84 225 8832-415
E-mail: info@vn.grobgroup.com

GROB MACHINE TOOLS INDIA Pvt., Ltd.

Hyderabad, INDIA
Tel.: +91 40 4202-3336
E-mail: info@in.grobgroup.com